

1630 SS IR Curtain Wall System

High Performance. Larger Spans.
Elite Impact Resistance.



1630 SS IR Curtain Wall System is an impact resistant 3" sightline curtain wall system that offers an additional line of defense against high winds, heavy rains, hurricanes and more. Having undergone rigorous testing to hurricane impact and blast mitigation standards, 1630 SS IR Curtain Wall System meets increasing design pressure requirements and can deliver larger spans. And, screw-spline architecture with both dry and wet glazing options makes the 1630 SS IR flexible as well as easy and fast to install.

Impact tested products, which were predominantly being applied throughout Florida and along the Gulf Coast, are increasingly being specified down the Eastern seaboard and in Hawaii. Growing design pressure requirements on buildings in impact zones, larger span needs and ease of installation requirements have necessitated the movement to a new 3" platform. Built on the success of the flagship 1600 curtain wall platform, Kawneer's 1630 SS IR Curtain Wall System meets those needs. The system has also been tested for blast mitigation, offering occupants even more levels of protection. Kawneer knows how to protect buildings and occupants. 1630 SS IR Curtain Wall System delivers performance under pressure.

Performance

1630 SS IR Curtain Wall System has been comprehensively tested to ASTM 1886 and ASTM 1996 standards and the TAS 201, 202 and 203 test protocols to meet Florida Building Code (FBC) and Miami-Dade's Notice of Acceptance (NOA) criteria. The product has been large and small missile impact tested to Level D and meets the even more stringent Level E (Enhanced Facilities) requirements. The 1630 SS IR Curtain Wall System's wet (silicone) glazed option has been tested up to 130 psf design load.

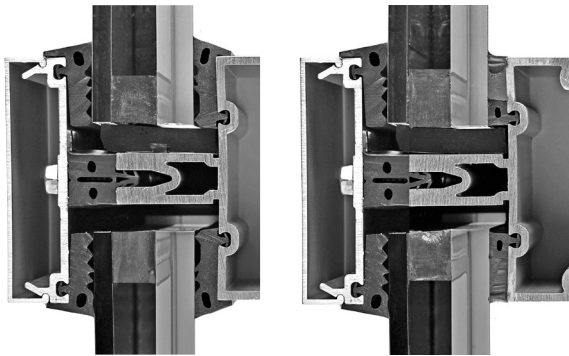
Thermal cycling per AAMA 501.5 has been performed. In order to provide a better thermal barrier, the separation of interior and exterior metal has been increased to lower the U-factor of the system to meet more demanding energy codes.

In addition, successful blast mitigation testing* to stringent requirements allows 1630 SS IR to offer occupants even higher levels of protection.

Performance Test Standards

Air Infiltration	ASTM E283; TAS 202
Water – Static	ASTM E331; TAS 202
Water – Dynamic	AAMA 501.1
Structural – Uniform Wind Load	ASTM E330; TAS 202
Thermal Cycling	AAMA 501.5
Windborne Debris Impact Resistance	ASTM E1886, E1996; TAS 201, 203
Thermal Transmittance – U-Factor	AAMA 1503, 507; NFRC 100
Condensation Resistance (CRF, I, CR)	AAMA 1503; CSA A440.2; NFRC 500
Overall Solar Heat Gain Coefficient (SHGC, VT)	AAMA 507; NFRC 200
Sound Transmission (STC, OITC)	ASTM E90, E1425; AAMA 1801
Blast Mitigation	ASTM F1642, UFC 4-010-01; GSA-T501

* 1630 SS IR Curtain Wall System has been tested to meet stringent federal requirements as outlined by the Department of Defense (DoD) and Interagency Security Committee (ISC)/ General Services Administration (GSA) as well as testing standards for blast performance as set forth in ASTM F 1642 Standard Test Method for Glazing and Glazing Systems Subject to Airblast Loading.



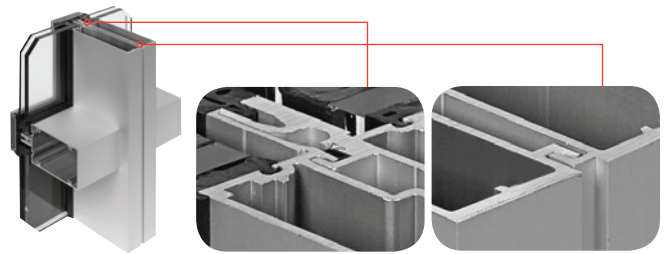
1630 SS IR Curtain Wall
Dry Glazed

1630 SS IR Curtain Wall
Wet (Silicone) Glazed

Fabrication and Installation

To help reduce installation time and effort with 1630 SS IR Curtain Wall System, installers can leverage their existing knowledge of Kawneer's proven 1600 Wall System™1 and 1600 SS Curtain Wall System fabrication and installation methods. Screw-spline fabrication of the curtain wall system allows for pre-assembly in shops and the ability to be installed in ladders. Straight cuts without notching also simplify fabrication. The system's wider 3" profile provides deeper pocket depth, which creates more clearance between the glass edge and the mullion tongue, enabling easier installation of glass.

The easy-to-install screw-spline fabrication curtain wall system features an interlocking mullion design, which eliminates the time-consuming effort of applying anti-buckling clips. Both wet glazed (silicone) and dry glazed options are available. The wet glazed option eliminates the possibility of glass shifting during the transport of pre-assembled panels, while the dry glazed option cuts the need for curing time required with silicone glazed units from project schedules.



Screw spline fabrication features a two-piece interlocking mullion design

Aesthetics and Design Options

Kawneer's 1630 SS IR Curtain Wall System delivers elite impact resistance without compromising aesthetics. The 3" wide profile presents clean, uninterrupted sightlines. Different mullion depths are available to address a variety of project-specific design needs including single-span and twin-span applications. For increased design flexibility, dual color options provide the flexibility to vary interior and exterior finishes.

Kawneer Company, Inc.
Technology Park / Atlanta
555 Guthridge Court
Norcross, GA 30092

kawneer.com
770 . 449 . 5555

