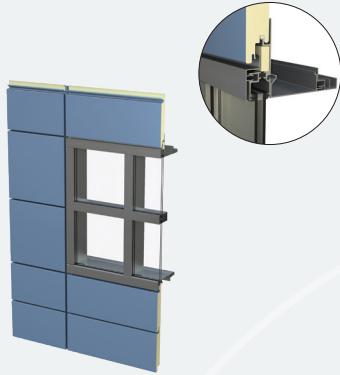




FORMAVUE™ WINDOWS

FV-400A, FV-400S

TECHNICAL DATA SHEET



FV-400A



FV-400S

DESCRIPTION

CENTRIA's Formavue FV-400 window system is designed to provide a thermally efficient window to panel interface with 2" thick Formawall Dimension Series insulated metal panels. This window system integrates into the panel joinery with thermally improved extrusions at the window head and sill. FV-400 windows integrate with both horizontal and vertical panels and are available on spandrel or thru-tube supports, for punched and strip window applications. There are multiple mullion options that are interchangeable within the FV-400 window frame include full mullion (with pressure bar and snap covers) and structural silicone glazed (SSG) mullions.

GENERAL DESIGN OPTIONS

FORMAVUE™			
	FV-400A	FV-400A-V	FV-400S
BUILDING STRUCTURE	Steel Studs	Steel Studs	Steel Thru-Tubes <i>Standard - 4", 5", 6" and 8" x 2" tubes</i>
PANEL THICKNESS	2"	2"	2"
PANEL ORIENTATION	Horizontal	Vertical	Horizontal
SYSTEM DEPTH	2-1/4" + Aluminum Tube Depth <i>Standard - 4", 5", 6" x 2-1/2" tubes</i>	2-1/4" + Aluminum Tube Depth <i>Standard - 4", 5", 6" x 2-1/2" tubes</i>	2-1/4" + Steel Tube Depth
SITE LINE	2-1/2" <i>Sill = 2 -3/4"</i>	2-1/2" <i>Sill = 2 -3/4"</i>	2-1/2" <i>Sill = 2 -3/4"</i>
NOMINAL FRAME WALL THICKNESS	1/8"	1/8"	1/8"
FRAME FABRICATON	Field-Assembled	Field-Assembled	Field-Assembled
GLAZING* (1" NOMINAL)	Exterior Glazed	Exterior Glazed	Exterior Glazed
MAX. WINDOW HEIGHT	Limited by load capacity	Limited by load capacity	Limited by load capacity
MAX. EXTRUSION LENGTH	Standard: 16' <i>Max: up to 24'-6"</i>	Standard: 16' <i>Max: up to 24'-6"</i>	Standard: 16' <i>Max: up to 24'-6"</i>
INTERIOR TRIM	Extruded & Painted <i>Field Applied</i>	Extruded & Painted <i>Field Applied</i>	Extruded & Painted <i>Field Applied</i>
WINDOW DESIGNS	Punched or Strip Windows <i>Optional: horizontal stacks</i>	Punched or Strip Windows <i>Optional: horizontal stacks</i>	Punched or Strip Windows <i>Optional: horizontal stacks</i>
CORNERS	Outside: Exterior Glazed Inside: Exterior glazed	Outside: Exterior Glazed Inside: Exterior glazed	Outside: Exterior Glazed Inside: Exterior glazed




* Pressure bar required for full mullion; Silicone required for SSG mullion

FORMAVUE DESIGN FEATURES & BENEFITS

- Designed as an integrated component of the Formawall building envelope system
- Aluminum framing with complete thermal break, integral head & sill joinery
- Can be installed in a variety of configurations
- Available in a wide range of colors to compliment your Formawall building envelope
- Integrated design eliminates the need for time-consuming window/wall interface detailing
- Maximum thermal performance and reduced opportunity or window condensation



FORMAVUE FV-400 TESTING

TEST	TEST METHOD	TEST TITLE	RESULTS
 STRUCTURAL	ASTM E330	Standard Test Method for Structural Performance of Exterior Windows, Doors, Skylights and Curtain Walls by Uniform Static Air Pressure Difference	Contact CENTRIA for structural capabilities
 AIR INFILTRATION	ASTM E283	Rate of Air Leakage Through Exterior Windows, Curtain Walls, and Doors	< 0.01 cfm/ft ² air infiltration rate at static pressure differential of 6.24 psf
 WATER INFILTRATION	ASTM E331	Water Penetration of Exterior Windows, Skylights, Doors and Curtain Walls by Uniform Static Air Pressure Difference	No uncontrolled water penetration at static pressure differential of 15 psf for 15 minutes
	AAMA 501.1	Standard Test Method for Water Penetration of Exterior Walls Using Dynamic Pressure	No leakage at a dynamic pressure of 15 psf for 15 minutes

NOTES

- A. For information on special applications, contact your local CENTRIA Sales Representative.